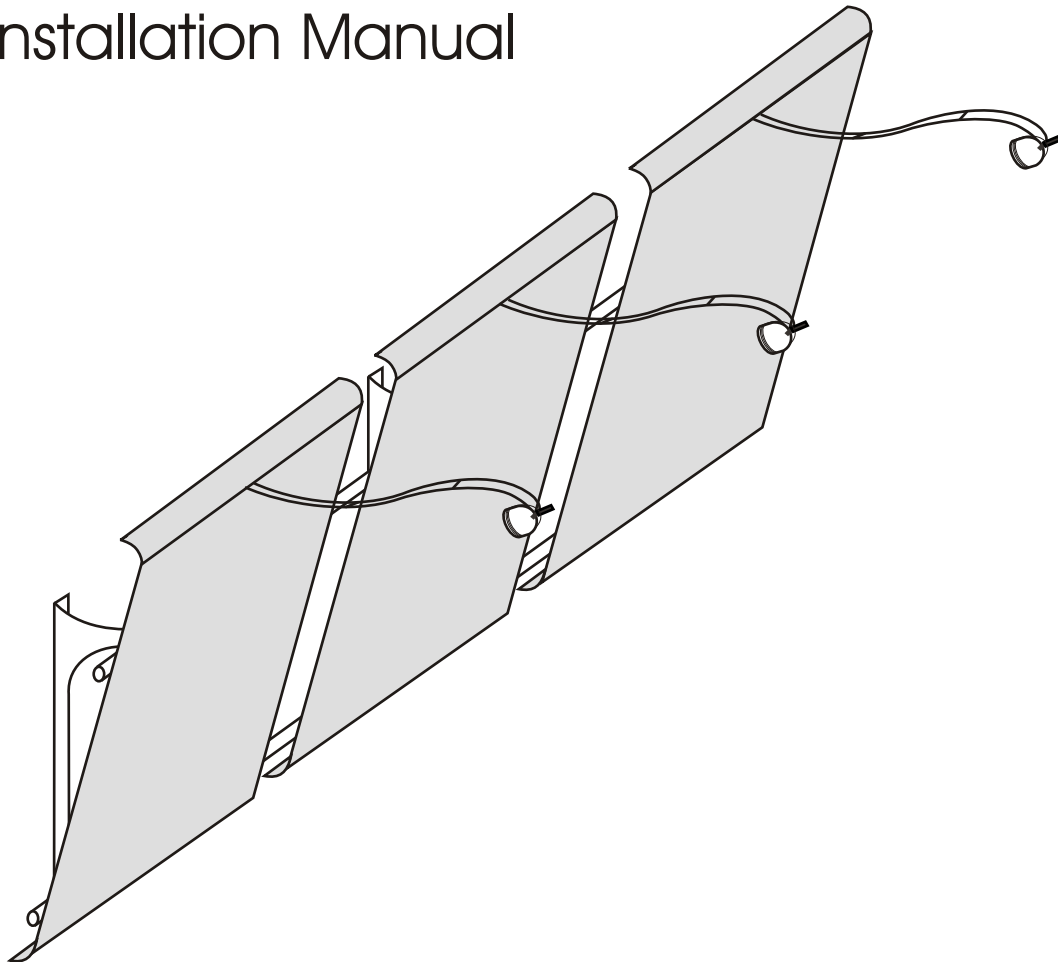




STAINLESS STEEL MAGNETIC
MENU SYSTEMS

Installation Manual



Index

Page 1:	Cover
Page 2:	Index and general product information
Page 3:	Description of Parts
Page 4:	Panel & Wall Bracket Specifications
Page 5:	Ceiling Clearance Specifications for Cantilevered Wall Brackets
Page 6:	Ceiling Clearance Specifications for Flat Wall Brackets
Page 7:	Using Your Installation Diagram
Page 8:	Placement of Parts
Page 9:	View of Assembled Wall System
Page 10:	View of Assembled Hanging System
Page 11:	Panel Safety Tab
Page 12:	Contact, Care, and Warranty Information

Congratulations

You have purchased a fine product from IDS Menu, a division of International Display Systems.

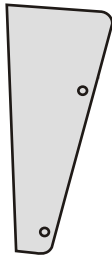
Your easy-to-assemble menu system is solidly built and rigorously tested to ensure years of care free service.

Before You Begin:

We have included easy to follow instructions which have been carefully written to ensure quick and easy assembly of your menu system. Be sure to read this entire manual and the **Installation Diagram** included with this kit **BEFORE** attempting installation (a time saver in the long run).

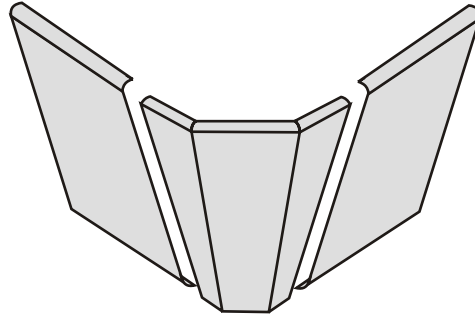
Please identify all parts before installing the system. If the **Installation Diagram** or any parts are missing please contact IDS Menus for immediate replacement.

Description of Parts



System End Cover

part # MBAL-Cover



Menu Panels

- Panel A - part # SSMB-A
- Panel B - part # SSMB-B
- Panel C - part # SSMB-C
- Panel D - part # SSMB-D
- Panel E - part # SSMB-E
- Panel F - part # SSMB-F
- Panel G - part # SSMB-G
- Panel H - part # SSMB-H
- 18" Corner - part # SSMB-CP1
- 24" Corner - part# SSMB-CP2
- 32" Corner - part# SSMB-CP3



Lamp Fixture Kit
(optional)

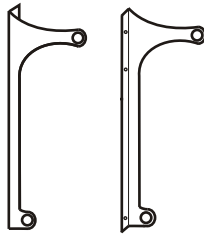
part # SS-LAMP
kit includes:

- 1 transformer
- 2 mounting tubes with wire leads
- 1 light fixture arm
- 1 bulb
- 1 lens holding ring
- 1 chrome mesh dome
- 1 diffuser lens
- 1 C wire holding clip



Tubing

part # MBAL-TUMING
for all installations

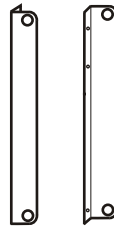


Left Right

Cantilevered Wall Brackets

part # MBAL-WB-C
for A,B,C,D,E & F panels

part # MBAL-WB1-C
for G & H panels

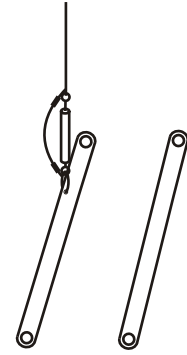


Left Right

Flat Wall Brackets

part # MBAL-WB-F
for A,B,C,D,E & F panels

part # MBAL-WB1-F
for G & H panels



Hanger Lock Bar

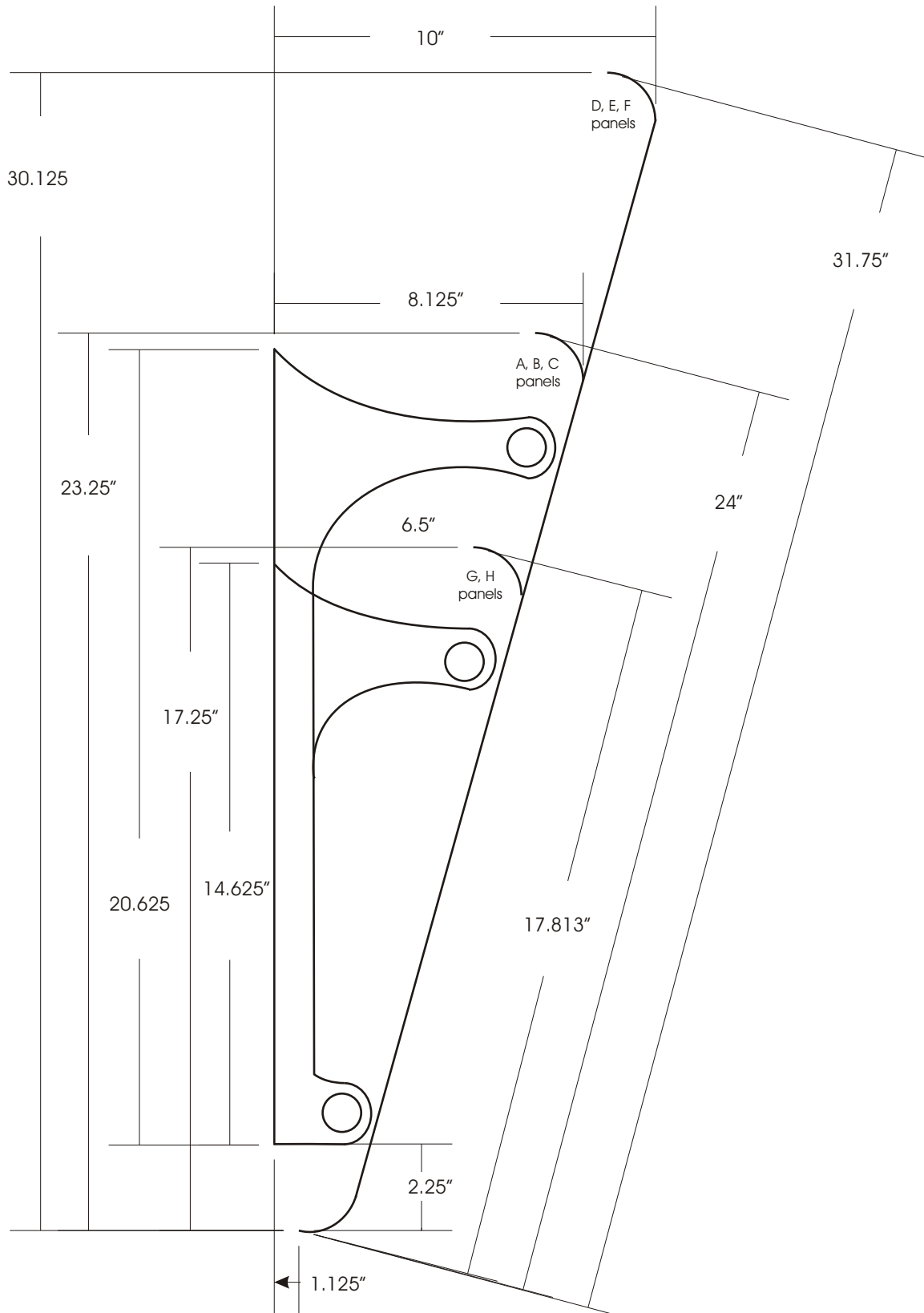
Ceiling Hanging Kit

for A, B, C, D, E & F panels
1 - Hang Bracket - part # SSHB
2 - Hang Brackets & Lock Bars
part # SSHBL-SET

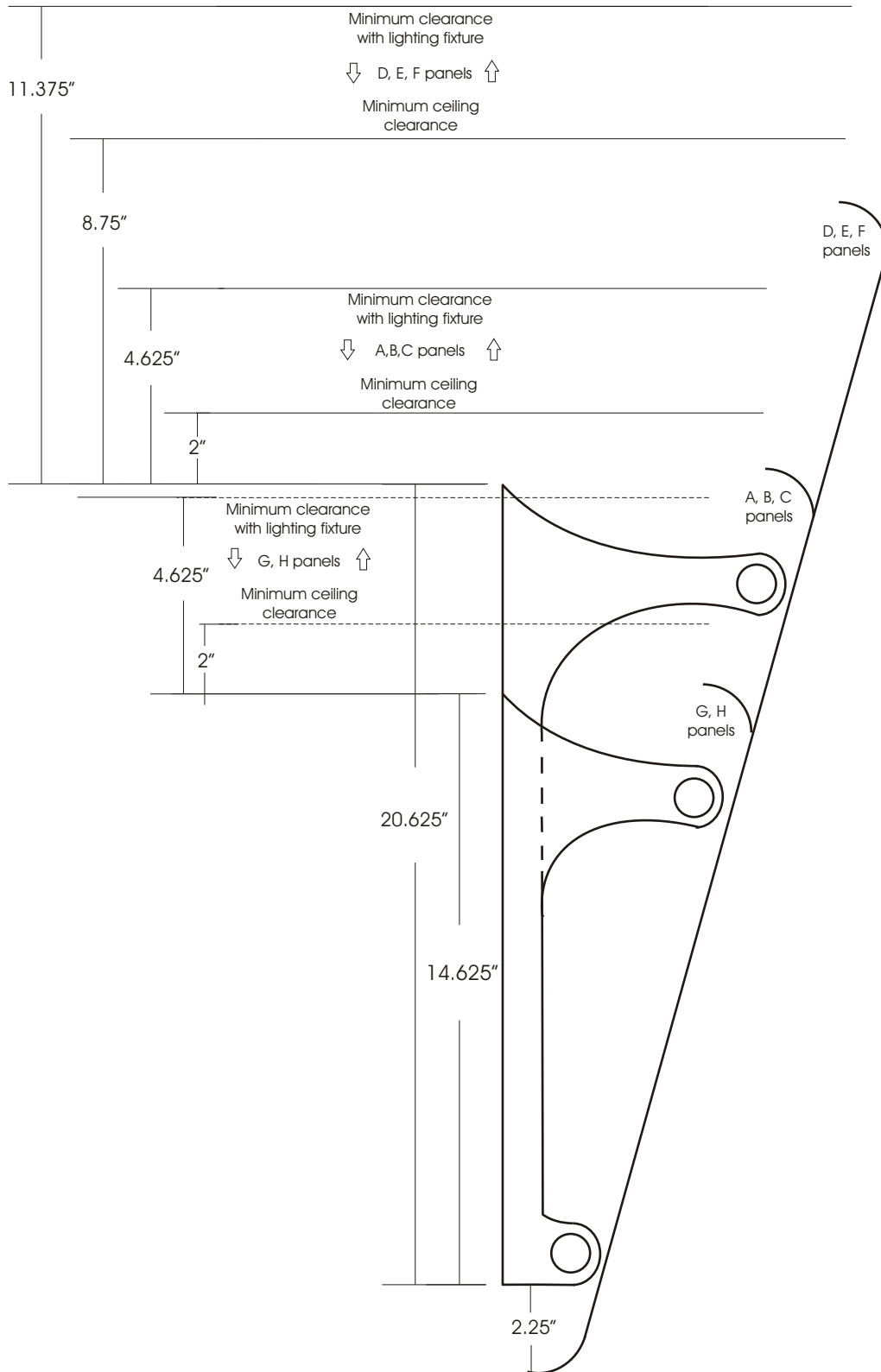
for G & H panels
1 - Hang Bracket - part # SSHB1
2 - Hang Brackets & Lock Bars
part # SSHBL1-SET

Please review your order for the style of mounting method included with your system.

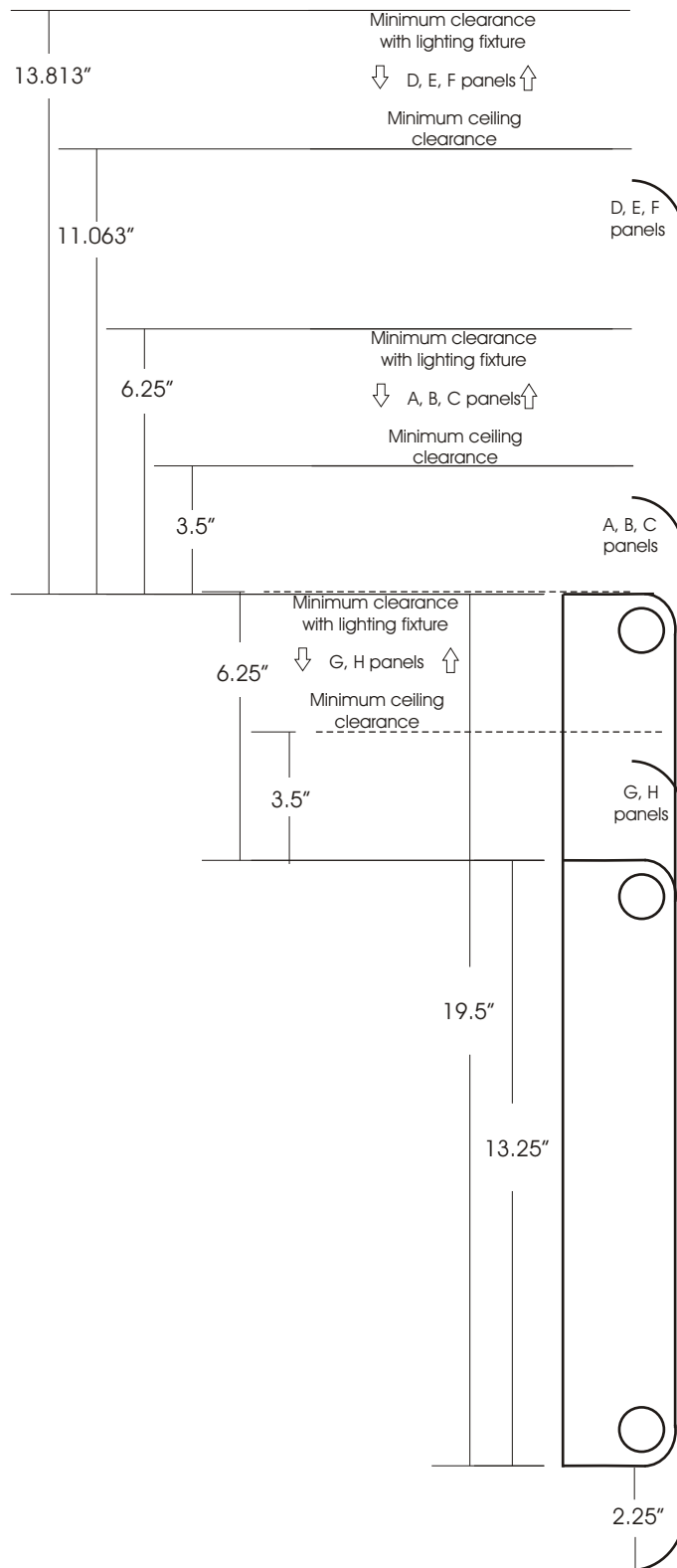
Panel & Wall Bracket Measurements



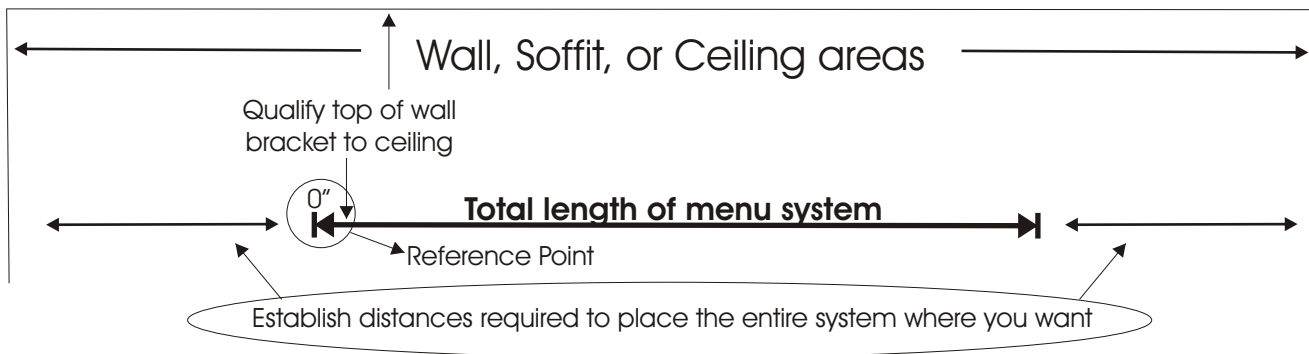
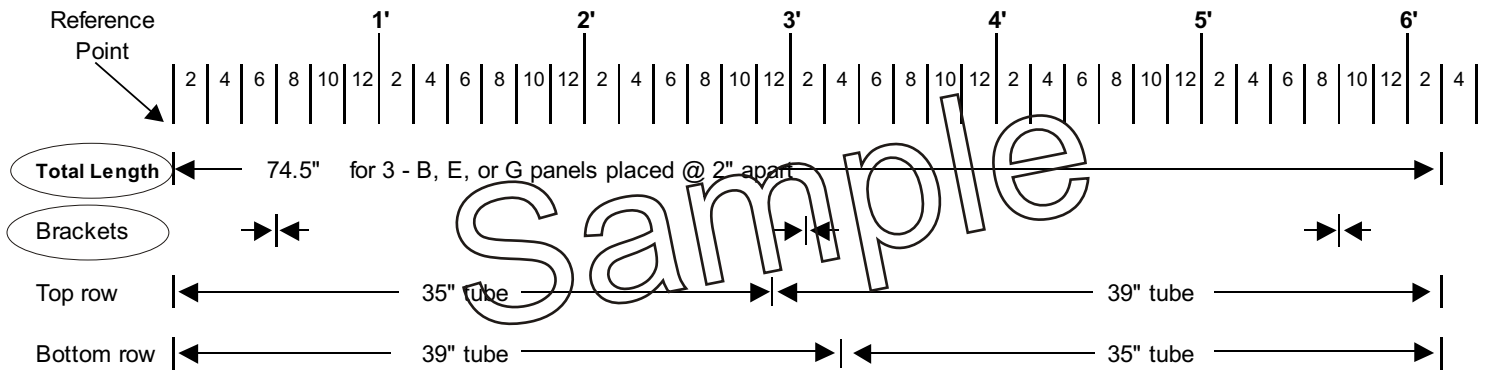
Ceiling Clearance Specifications for Cantilevered Wall Brackets



Ceiling Clearance Specifications for Flat Wall Brackets



Using Your Installation Diagram



Warning! Do not use the instruction diagram above for your measurements. The diagram above is for reference purposes only. Please use the Installation Diagram included with your packaging for this installation.

Please review your **Installation Diagram "BEFORE"** attempting installation.

Measure for the placement of the "Total Length" of system from left to right on the wall, soffit or ceiling before making any markings.

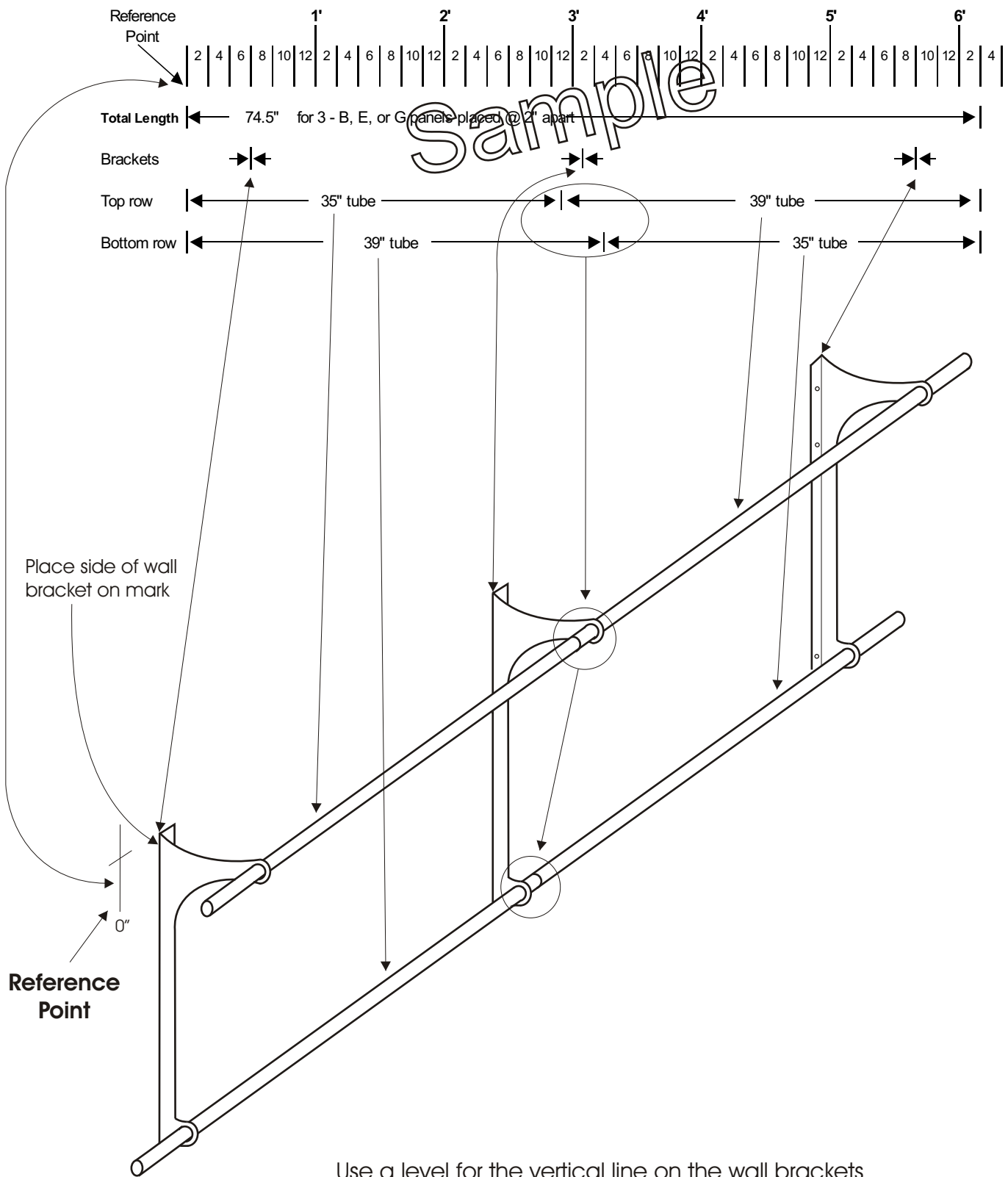
Examine the **Ceiling Clearance Specifications** on page 5 or 6 for the measurement that is required from the top of the wall bracket to the ceiling for the style panel you are installing. If the clearance tolerance is marginal for the menu panel, check the area for any low-points for the entire length of the system before establishing your **"Reference Point"**. Mark your **"Reference Point"** first. All future measurements are made from this **"Reference Point"**.

Next, make a mark representing the opposite end of the system **LEVEL** with the **"Reference Point"**. Draw a line or use a taught cord to make a straight line between these two points.

The locations for the wall or hanging brackets are marked as per the measurements from the **"Reference Point"** shown on the **Installation Diagram** included with this kit. Use the straight line to place the marks at the correct height when marking each position.

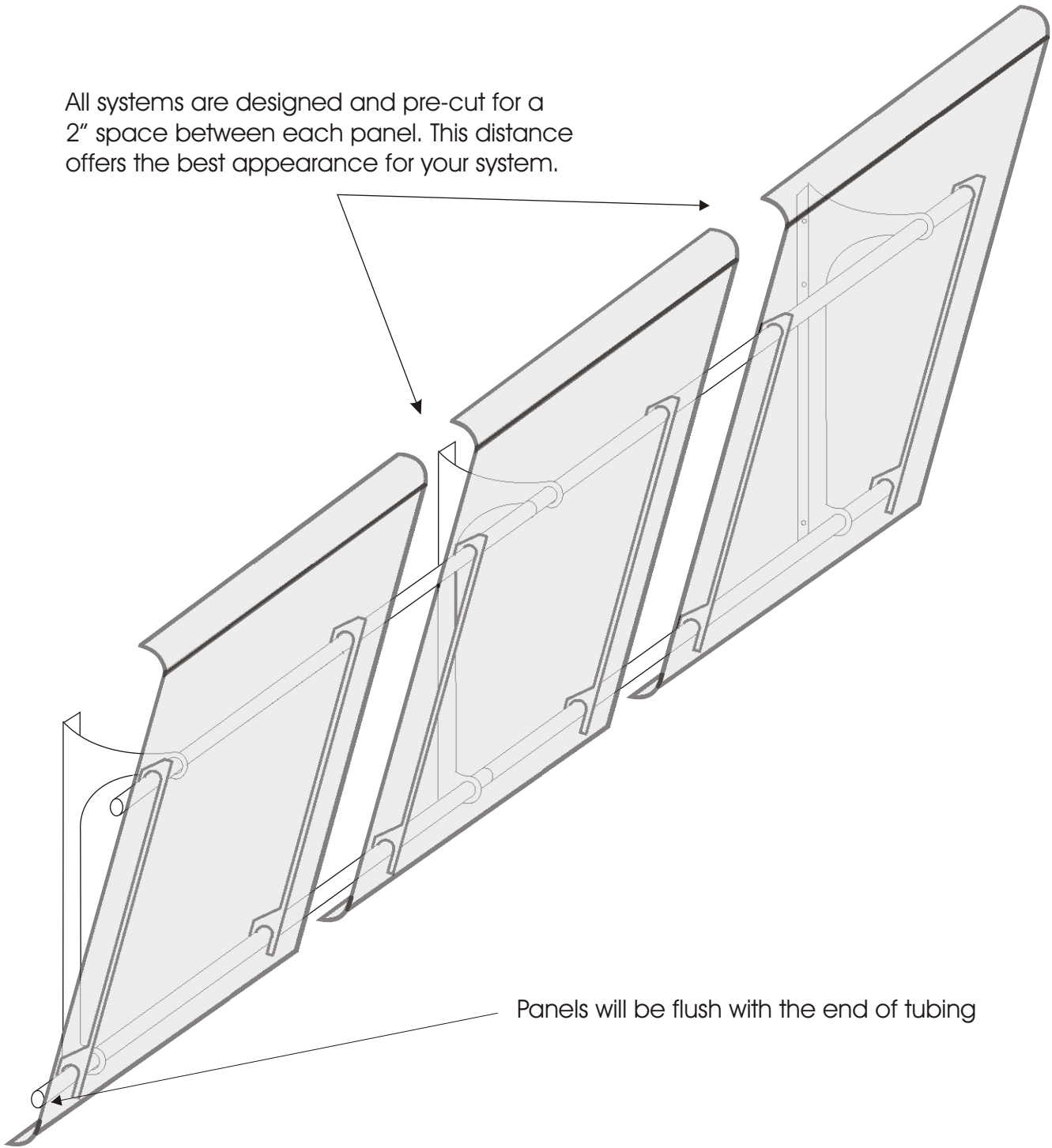
Please go to next page to qualify how to read the **Installation Diagram** and how it relates to the parts to be installed.

Placement of Parts

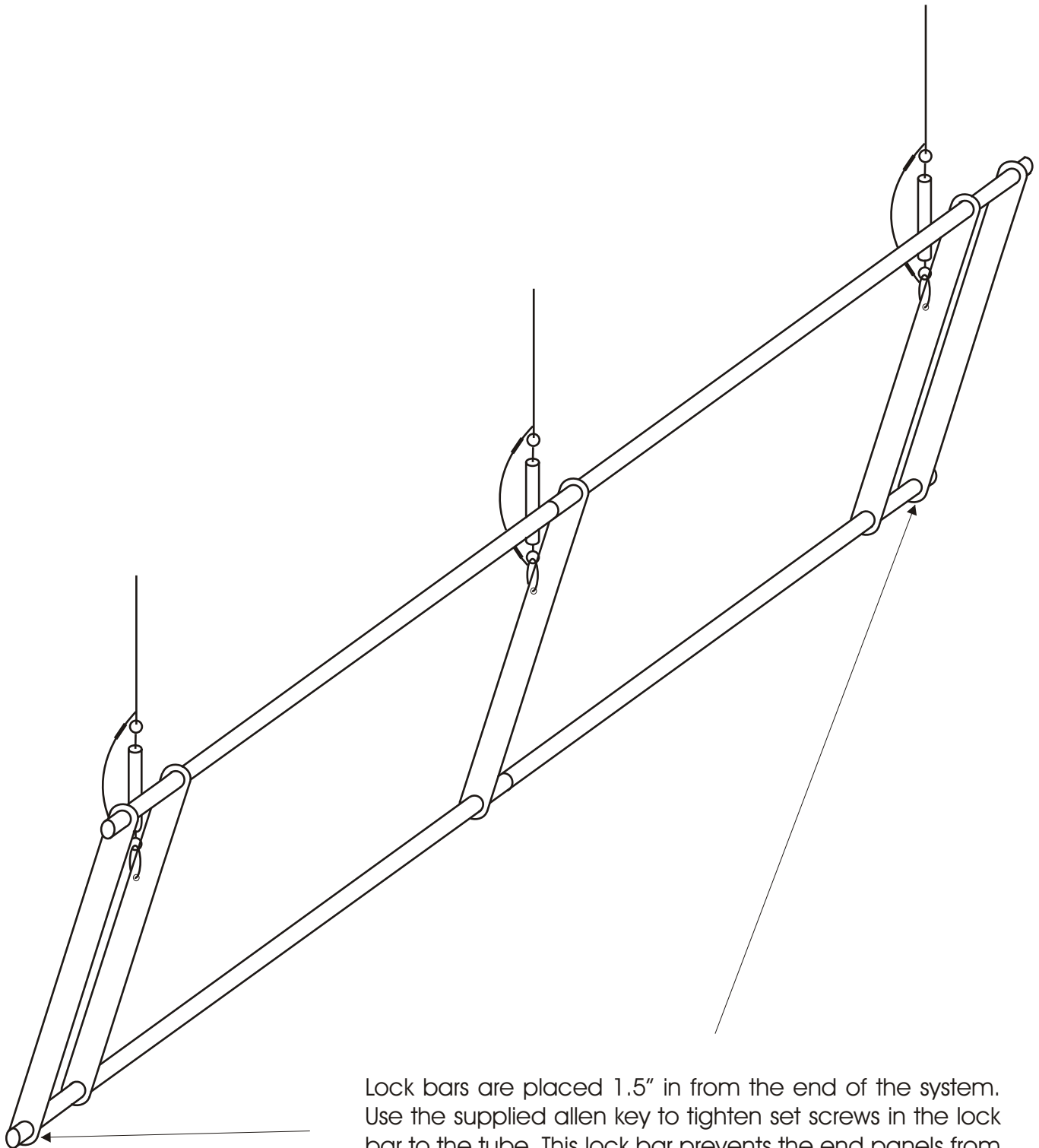


View of Assembled Wall System

All systems are designed and pre-cut for a 2" space between each panel. This distance offers the best appearance for your system.

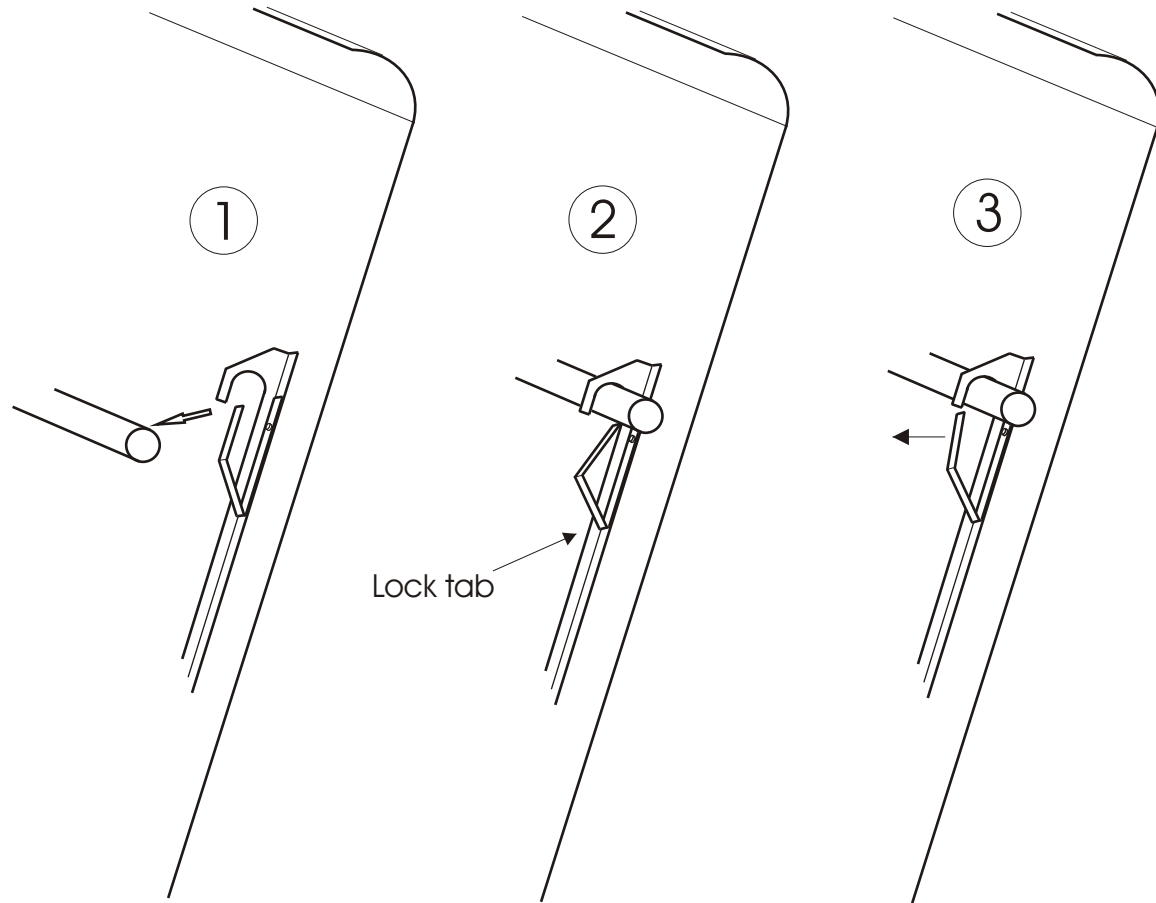


View of Assembled Hanging System



Lock bars are placed 1.5" in from the end of the system. Use the supplied allen key to tighten set screws in the lock bar to the tube. This lock bar prevents the end panels from sliding off the system

Panel Safety Tab



Step 1:

Guide panel hanger onto the tube. Guide the bottom hooks first. Take care to catch both top and bottom hooks on the tube.

Step 2:

When placing the top hook onto the tube you will find resistance from the lock tab. Continue to press with firm pressure until the tube snaps into the top hook.

Step 3:

When all hooks are completely on their perspective tubes reach behind the panel to press the lock tab away from the back surface of the panel. Sometimes the lock tab will rub on the bottom of the tube and may require an extra effort to place into the safety position. The lock tab in this position will prevent the panel from falling off the tube in the event the panel is bumped from below.

Contact, Care, and Warranty Information

This product has been manufactured by

International Display Systems

5008 Veterans Memorial Highway
Holbrook, New York 11741

Customer Service: customerservice@displayinc.com

Sales Department: salesinfo@displayinc.com

Product Web Sites: www.idsmenus.com

Installation Assistance: contact Guy @ 631-218-1802

Menu System Care:

After the installation of your system use a mild cleaner for any finger marks on any of the surfaces. To maintain a long lasting luster for the, stainless steel surfaces we offer a special polishing cleaner. Please request from our customer service department part # SSBM-CLEANER

Statement of Warranty

IDS Menus warrants the indoor stainless steel panels manufactured by IDS Menus to be free from defects in material and workmanship under normal use for a period of five years. IDS Menus warrants the outdoor stainless steel systems to be free from defects in material and workmanship under normal use for a period of one year. Lighting fixtures and ballasts are warranted for a period of ninety days. Warranties exclude strips, graphics, Lexan, halogen and florescent lamps.

Upon confirmation of a defect or failure, at our discretion, we will repair or replace the item or will refund a prorated fee if repair or replacement is not possible or practical. Our warranty covers only the product itself; we will assume no liability for labor costs, installation costs, or other losses.

Your warranty rights will be honored only when the product has been installed and used properly. IDS Menus will not repair or replace products damaged by improper use or faulty installation.

International Display Systems, Inc. ("IDS") Makes no representations or warranties, express or implies, as to the merchantability or fitness of any instructions and/or brackets, rails or other material (collectively "hanging brackets") furnished b IDS for the hanging of a display menu system ("system"). Each installation or hanging of a system is unique, and should only be performed by a qualified professional after evaluating your specific location and conditions, with such brackets, rails or other material as deemed necessary to comply with your specific requirements.